

# Wireless Strain Sensing Powered by Energy Harvesting

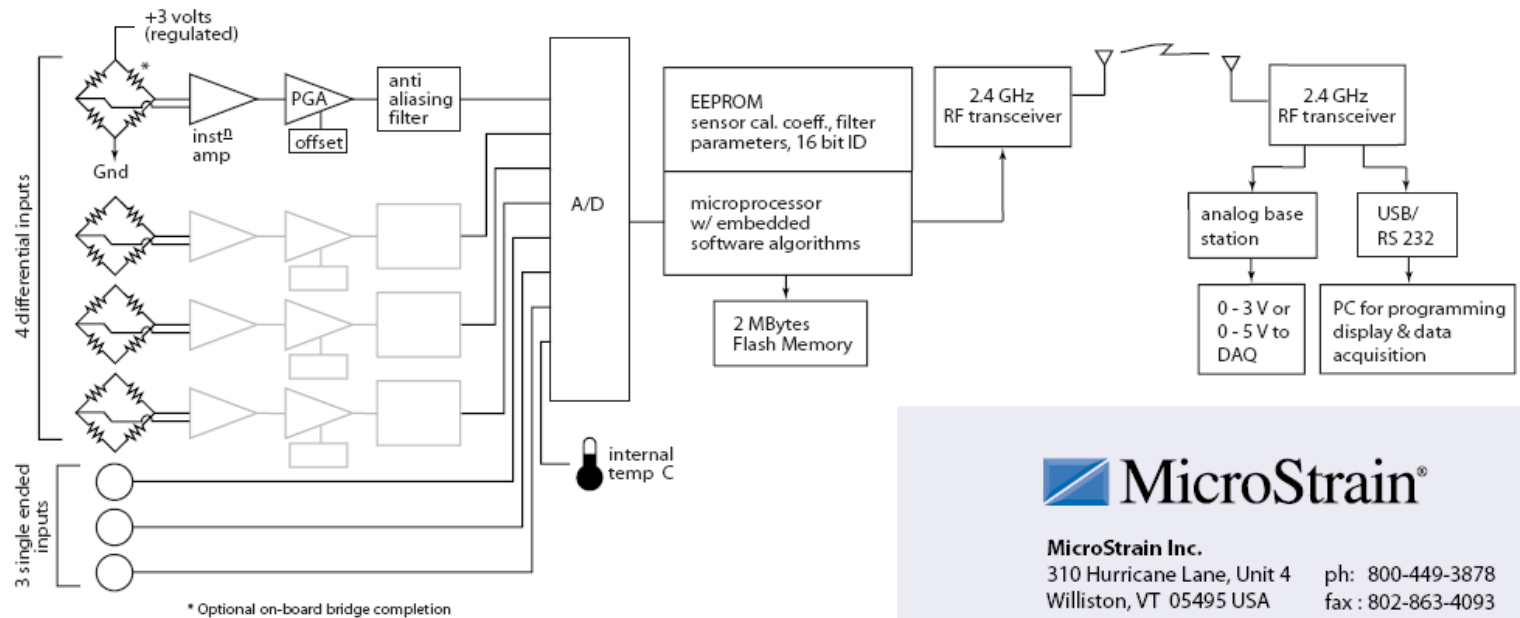
*Ian Ramage*

*Techni Measure*

February 7<sup>th</sup> 2011



# Wireless Strain System



**MicroStrain®**

MicroStrain Inc.  
 310 Hurricane Lane, Unit 4 ph: 800-449-3878  
 Williston, VT 05495 USA fax: 802-863-4093



# Dead Batteries - Power Solutions

- Harvest & store energy from the environment e.g. light, strain, motion
- Use power management to balance the energy “checkbook”
- Use embedded processors to compress data, classify operations, estimate fatigue life



# Energy Harvesting-Link

- Various power inputs:
  - Wide range 3-20VDC or VAC
  - Ultra low range 20-600mVDC
- 1 strain gauge input channel
- Internal temperature and humidity sensor
- Internal triaxial accelerometer

